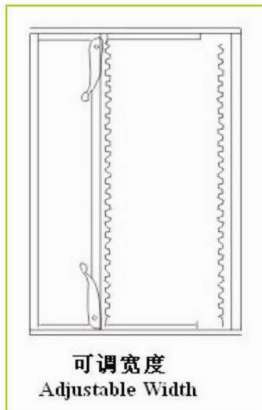
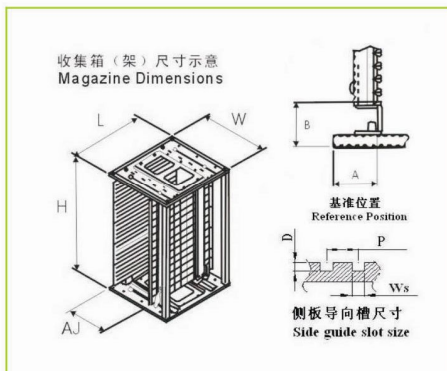


# SMT ESD Magazine Rack

P. N. 编号	Base Material 底盘材料	Adjust. 调节	MaxTem. 最高温度	Exterior Size 外部尺寸mm			Adjust. mm 可调宽度	Ref.Position 基准位置 mm		Guide Slot 导向槽 mm			PCB Slots 存放数	weight 重量kg
				L	W	H		A	B	D	Ws	P		
B0101	Plastic 塑胶板	Gear track 齿条调节	120°C	355	320	263	50-250	34	34	3.5	5.0	10.0	20	4.7
B0102	Plastic 塑胶板	Screw 螺丝调节	60°C	355	315	580	80-250	34	34	3.5	8.0	10.0	50	5.1
B0103	Metal 金属板	Gear track 齿条调节	120°C	355	320	563	50-250	34	34	3.5	5.0	10.0	50	5.6
B0104	Metal 金属板	Screw 螺丝调节	180°C	355	320	563	50-250	34	34	3.5	5.0	10.0	50	5.7
B0105	Plastic 塑胶板	Gear track 齿条调节	120°C	355	320	563	50-250	34	34	3.5	5.0	10.0	50	4.1
B0106	Metal 金属板	Gear track 齿条调节	120°C	460	400	563	50-330	34	34	3.5	5.0	10.0	50	7.6
B0107	Metal 金属板	Screw 螺丝调节	120°C	460	400	563	50-330	34	34	3.5	5.0	10.0	50	7.7
B0108	Metal 金属板	Gear track 齿条调节	120°C	535	460	570	50-390	34	41	3.5	5.0	10.0	50	10.5
B0109	Metal 金属板	Gear track 齿条调节	120°C	535	530	570	120-460	34	41	3.5	5.0	10.0	50	12.7
B0110	Metal 金属板	Gear track 齿条调节	120°C	355	320	263	50-250	34	34	3.5	5.0	10.0	30	5.3



- SMT magazine rack is designed for the manufacture, assembly, storage and transfer of PCB.
- Screw and gear adjustment.
- Common type (60°C) and heat-resistant type(120°C ,160~200°C) are available.
- Surface resistance:  $10^4 \sim 10^6 \Omega$ .



- Base: P-Conductive PS, M-Zincification Iron
- Adjustment: G-Gear track adjustment, S-Screw adjustment
- Tolerant temperature: 60°C, 120°C, 160~200°C different material
- PCB slots: The number of the SMT magazine rack that accommodate PCBs