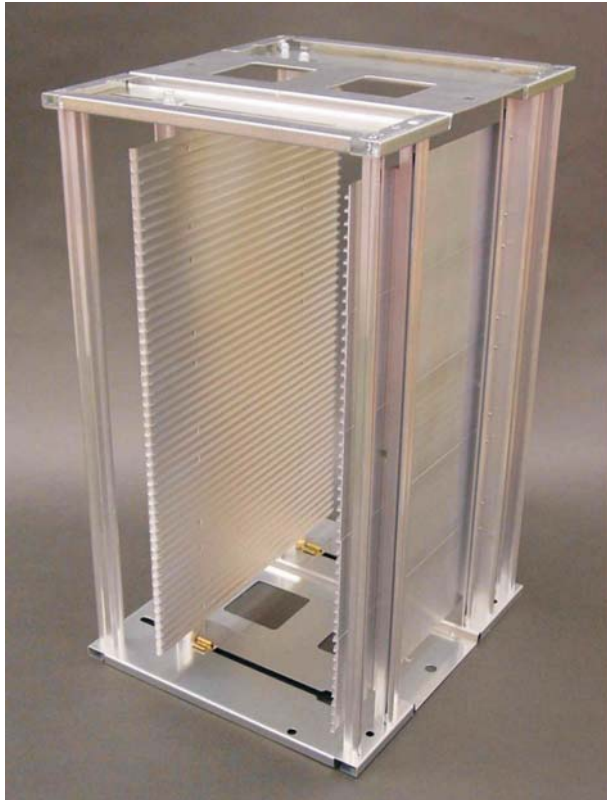


Magazines for PCBs, Blanking Sheets, etc.

ALG Racks



● RUBRÖDER GMBH ●
FACTORY AUTOMATION

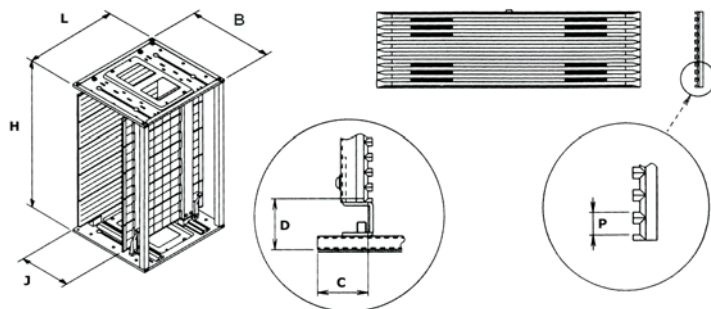


- ▶ Temperature resistant up to 250°C
- ▶ Screw fixable width adjustment
- ▶ Side walls with slots made of aluminium
- ▶ Durable bases made of steel
- ▶ Optional stopper shafts

ALG Full Metall Magazines

The ALG Racks are suitable for PCBs, punched grids, blanking sheets, metal sheets and other products and can be used for oven and other special applications. They are temperature resistant up to 250°C.

After a width adjustment has been carried out, the movable side wall can be screw fixed. The side walls are made of a single piece of aluminium, each. The magazine bases are made of steel.



Model	Outer dimensions in mm			Width adjustability J in mm	Pitch P in mm	PCB Slots	Reference position		Weight
	L	D	H				C	D	
ALG-2535	355	320	568	60~250	10	50	33.5+/-0.5mm	33.5+/-0.5mm	6.5kg
ALG-3153	515	380	568	80~310	10	50	33.5+/-0.5mm	33.5+/-0.5mm	10.5kg
ALG-3346	460	400	568	50~330	10	50	35.0+/-0.5mm	35.0+/-0.5mm	9.5kg
ALG-4653	535	530	568	50~460	10	50	34.0+/-0.5mm	33.5+/-0.5mm	11.0kg

PCB MAGAZINES